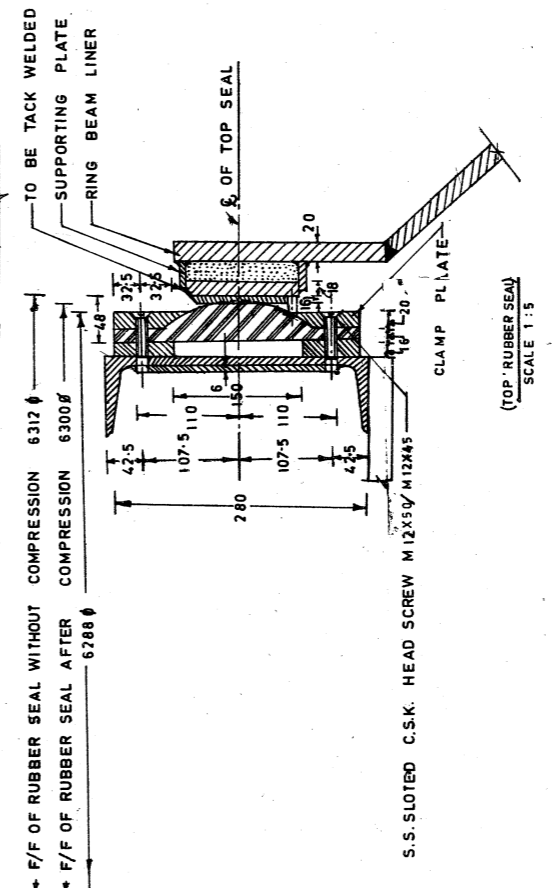


SECTIONAL ELEVATION
SCALE 1:50

NOTES:-
ALL DIMENSIONS ARE IN M.M. AND ELEVATIONS IN METRES.



RECORD PLAN
RANGANGA RIVER PROJECT
IRRIGATION DEPARTMENT UTTAR PRADESH
POWER INTAKE - CYLINDRICAL GATE
GENERAL INSTALLATION
SHEET 1 OF 2
PREPARED BY
CHECKED BY
RECORDED BY
DATE
PLATE NO. 80-R-PI-12